

1

2

3

4

5

6

A

A

B

B

C

C

D

D

E

E

F

F

G

G

H

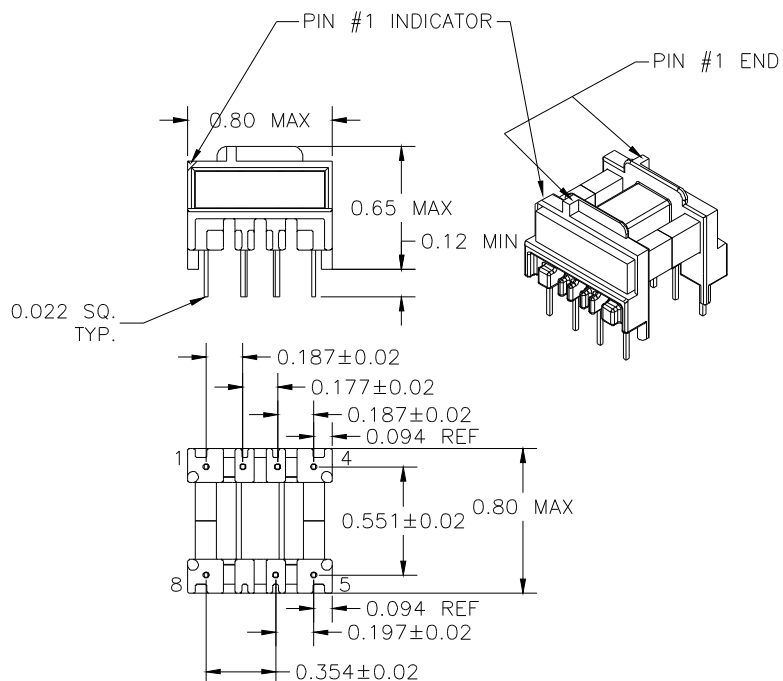
H

I

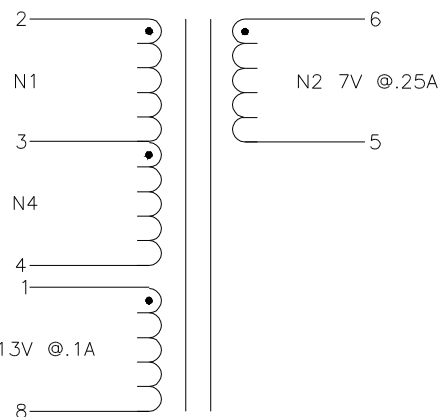
I

J

J



120-400V
100kHz
50% DC



ELECTRICAL SPECIFICATIONS

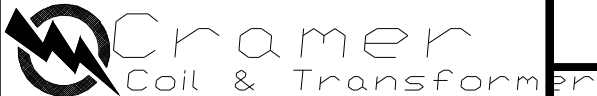
L @ 1kHz .1V - (2-4) 6mH ±10%

LL @ 100kHz .1V - (2-4) 41µH TYP, TOL TBD
(WITH 1,5,6,8 SHORTED)

URNS RATIO - ±3%
2-4:6-5 - 1:0.065
2-4:1-8 - 1:0.115

DCR - OHMS TYP, TOL TBD
2-4 - 8.2
1-8 - 0.395
6-5 - 0.085

HIPOT - 4000VAC 1SEC
N1,N3,N4 TO N2

REVISION		DATE	MARKINGS CRAMER EIA DATE CODE CVP 10-001	LOCATION PIN RAIL SIDE OF CORE	
A	RELEASED	04/14/99	DESCRIPTION 2 VA FLYBACK TRANSFORMER WITH PRIMARY CONTROL	TOLERANCE UNLESS OTHERWISE SPECIFIED 2 PLACE DECIMALS ±0.010 3 PLACE DECIMALS ±0.005 FRACTIONS ±1/64 ANGLES ±1/2°	PROPRIETARY INFORMATION PROPERTY OF CRAMER COIL & TRANSFORMER CO. DUPLICATION AND/OR DISTRIBUTION BY PERMISSION ONLY
B	UPDATED PIN OUTS & REMOVED PIN WAS 6	06/08/99			
C	P/N WAS CSM 1608-030	12/01/99			
D	ADDED INPUT VOLTAGE TO SCHEMATIC	07/30/01			
			CUSTOMER ST MICROELECTRONICS		
			PAGE 1 OF 1		
			G:\DATA\SPECS\ENG\CVP\10-001	CUSTOMER PART NUMBER	REV
			DR. NJW	DATE 04/14/99	
			APPD. JDB	DATE 04/19/99	
				CRAMER PART NUMBER CVP 10-001	REV D

1

2

3

4

5

6